



Pedestrian walk through barrier: PBS130620
Pedestrian walk through barrier with gate: PBS130650

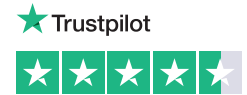
SafeSite Facilities

Pedestrian Walk Through Barrier

Specification Sheet

safesite[®]
F A C I L I T I E S

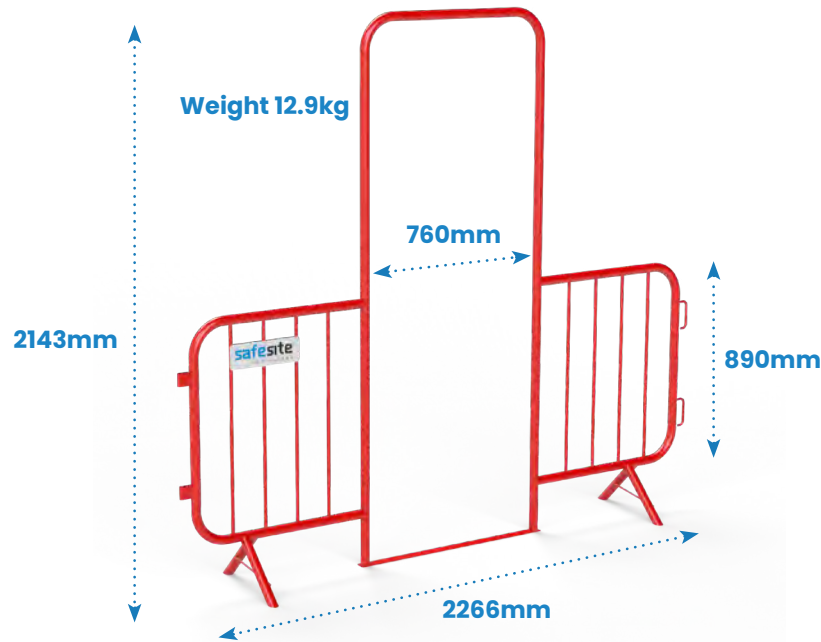
safesitefacilities.co.uk



Pedestrian Walk Through Barrier

The Pedestrian Walk Through Barrier is ideal for creating a safe passage for pedestrians or workers, whether its on a construction site or at an event.

The Pedestrian Walk Through Barrier helps create access points through perimeters created by the 2.3m Pedestrian Barrier. The barrier comes painted red as standard, which makes them highly visible and a must for health and safety on your site.



Walk Through Barrier Specification

Measurements in mm

Thickness	Length	Height	Weight (kg)	Product ID
38.1	2266	2143	12.9	PBS130620

Key Features

- > Interlocking design
- > Painted red for high visibility
- > Used on events for private security
- > Rapid deployment
- > Create safe pedestrian access on site
- > Quick and easy to install
- > Compatible with the 2.3m pedestrian barrier
- > Flat or fixed feet available
- > Available for hire or purchase

Pedestrian walk through barrier



Pedestrian access at Battersea

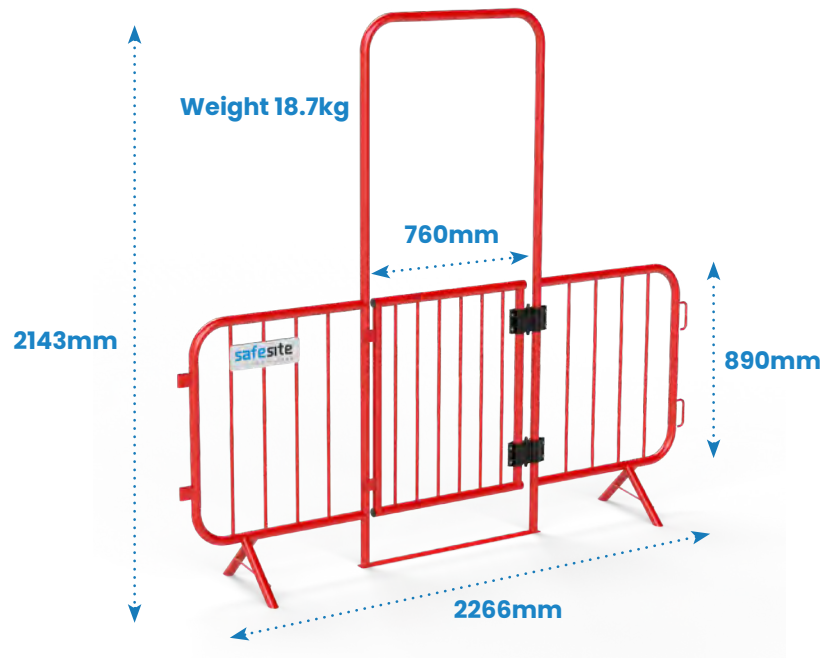




Pedestrian Walk Through Barrier With Gate

If there is a requirement to provide access but still maintain a secure perimeter the Pedestrian Walk Through barrier can be provided with a gate installed.

The gate enables you to deter unwanted pedestrians from entering your site, whilst still providing an entrance point for anybody requiring access.



Pedestrian Walk Through Barrier With Gate Specification

Measurements in mm

Thickness	Length	Height	Weight (kg)	Product ID
38.1	2266	2143	18.7	PBS130650

Key Features

- ▶ Self-closing hinge mechanism
- ▶ Pre-galvanised or powder-coated finish
- ▶ Highly stable, robust design
- ▶ Suitable for a range of surfaces and applications
- ▶ New plastic hinge system now available
- ▶ Metal hinge still available

New plastic hinge



Walk through with metal hinge





Pedestrian Walk Through Barrier In Action

The images to the right show the variety of situations which the Pedestrian Walk Through Barrier can be implemented.

At many events and construction sites it is important to have a secure perimeter, that can be achieved with the 2.3m pedestrian barrier, but there are also potential hazards and that is why it is necessary to implement access using the pedestrian walk through barrier.

Included here is the walk through barrier (with gate) that we stock in addition to the option with a black hinge.

Pedestrian access



Walk through barrier at site in Worthing



Battersea power station site



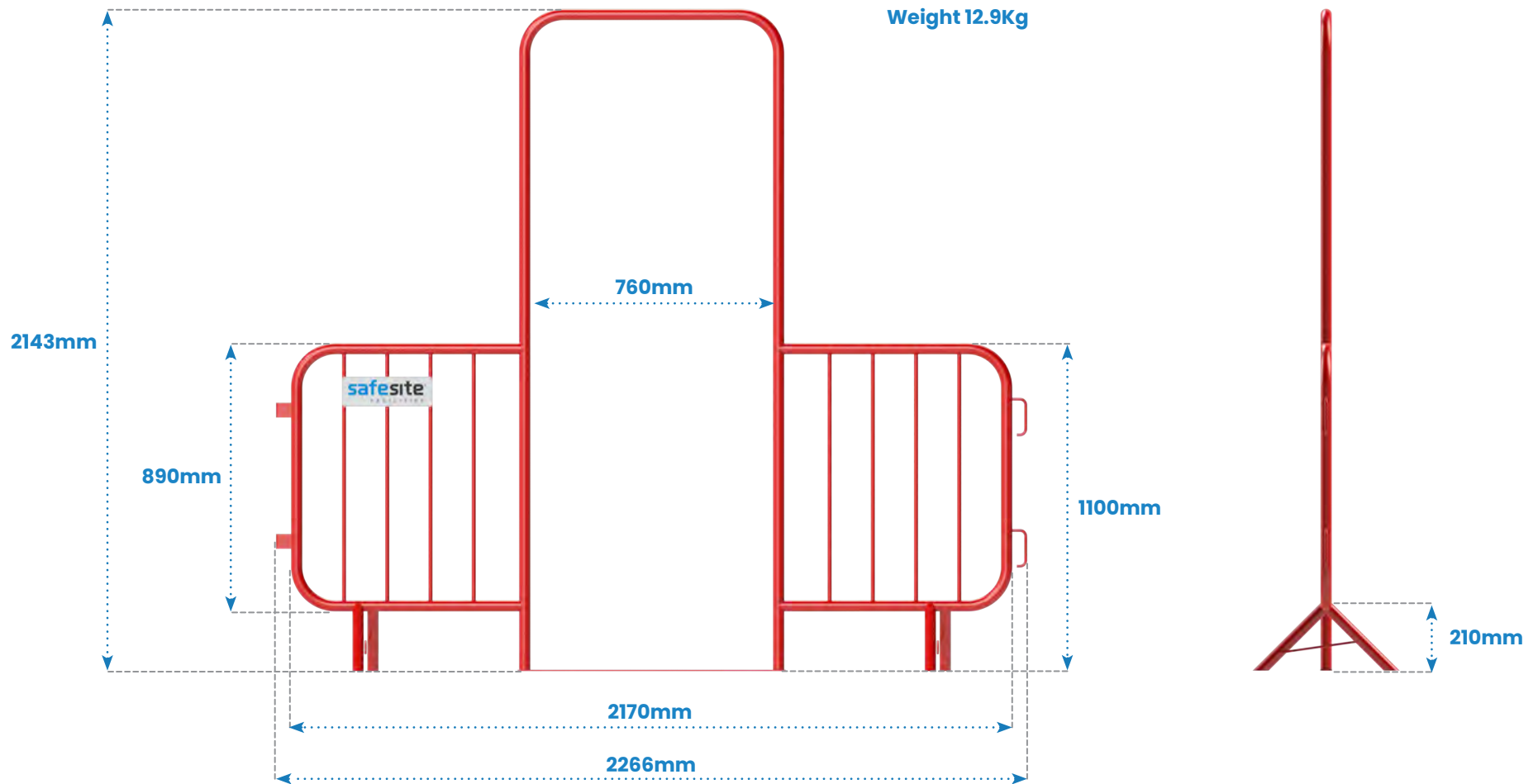
Barrier painted red as standard





Technical Details

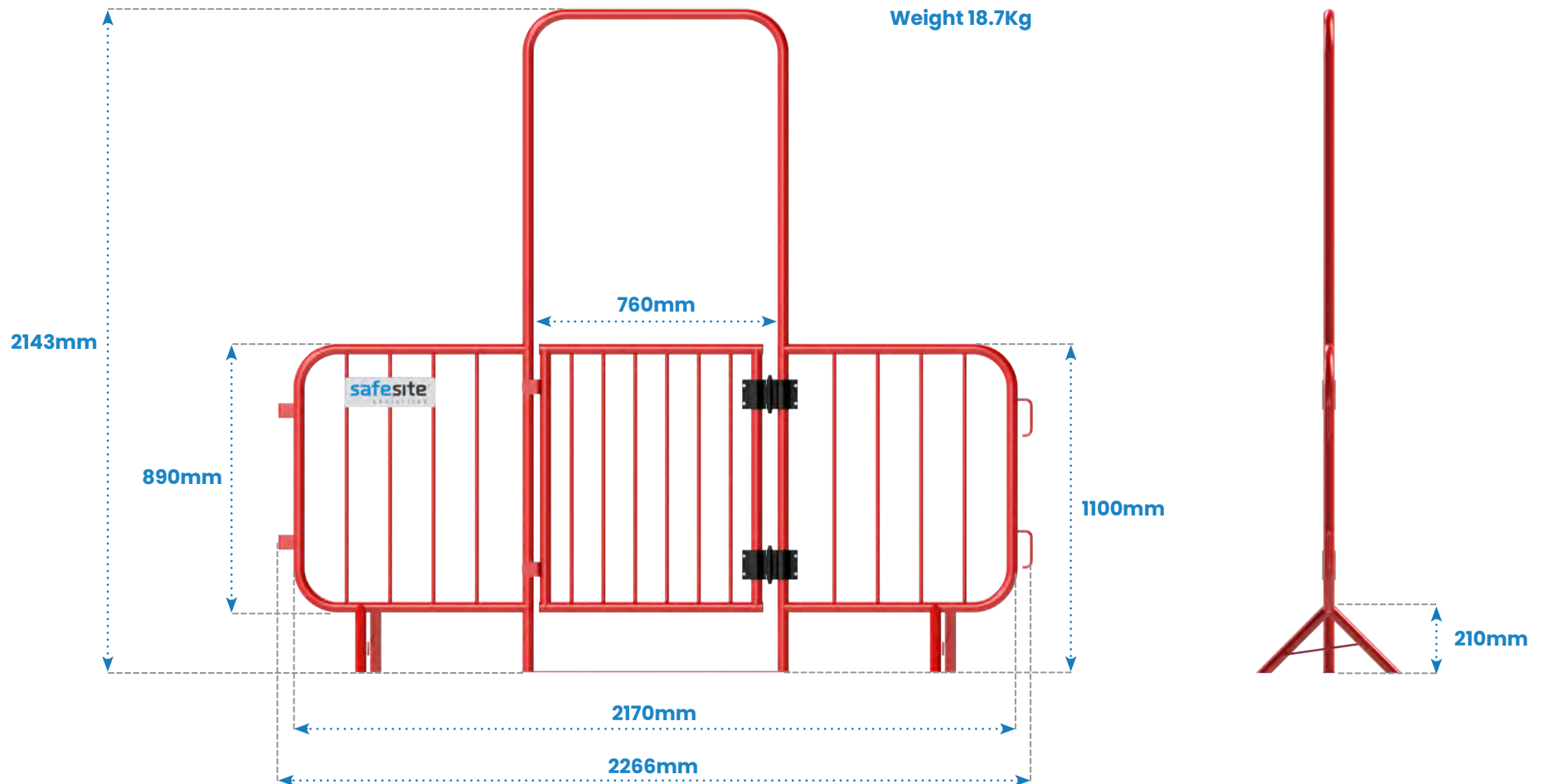
Pedestrian Walk Through Barrier





Technical Details

Pedestrian Walk Through Barrier With Gate





Unit 1, Martello Enterprise Centre, Courtwick Lane,
Littlehampton, West Sussex, BN17 7PA



info@safesitefacilities.co.uk



www.safesitefacilities.co.uk

We are proud to hold a number of industry-leading accreditations, please [click here](#) to learn more.

The product information included in this document is correct at the time of print. Some of the details and specifications featured may change without prior notice. Please visit our website or contact our sales team for the most up-to-date information.
